

canfield connector

8510 Foxwood Court
Youngstown, Ohio 44514
(330) 758-8299 Fax: (330) 758-8912
www.canfieldconnector.com

SERIES 7HL

HAZARDOUS LOCATION MAGNETIC PROXIMITY SENSORS FOR TIE ROD CYLINDERS

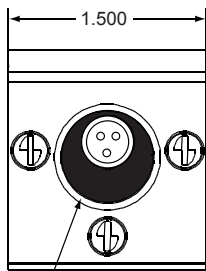
General Description

The Canfield Connector 7HL is a rugged magnetic proximity sensor designed to sense actuator position in stringent, hazardous location applications. The switch features a robust, aircraft aluminum body, epoxy-filled, vibration and shock resistant, electronic circuit, and a 1/2" conduit female thread with hard-usage multi conductor cable. Available in a normally open contact, the 7HL can switch current up to .5 Amps and has a voltage range of 0-120VAC/VDC 50/60 Hz.

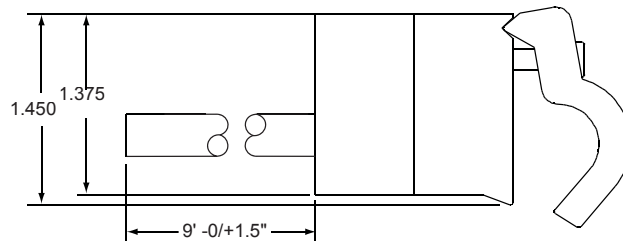
Designed to operate in hazardous locations, this switch is CSA approved for Class I, Division 2, Groups A, B, C, and D; Class II, Division 2, Groups F and G; and Class III.

The 7HL features an expansion of the popular Series 7000 "floating" clamp design and will clamp on 2 to 8 inch bore NFPA tie rod linear actuators.

Dimensional Data



1/2" Conduit



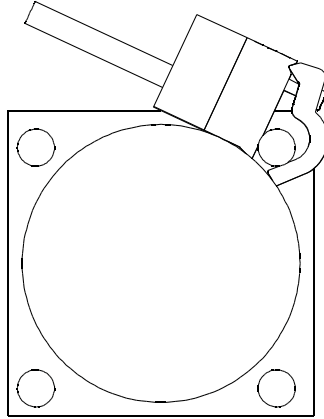
Technical Data

- Temperature Range: Operational from -20° to +80°C
- Shock: Operational up to 30 G (11ms)
- Vibration: Operational up to 20 G (10 - 55 Hz)
- Sensitivity: 85 Gauss parallel minimum, as measured on the surface of actuator
- Pollution Degree: 3
- Environmental protection: NEMA 1, 4 and 13
- Hazardous location ratings:
 - CSA: Class I, Division 2, Groups A, B, C and D;
Class II, Division 2, Groups F and G;
and Class III
- Body Material: Anodized 6061-T6 Aluminum, Epoxy encapsulated printed circuit board
- Wire: SJE00W 18/3 Leads
- Circuit: S.P.S.T., Normally Open
- Operating Voltage: 0 - 120 V AC/DC 50/60 Hz
- Maximum Load (Power Rating): 10W, Resistive Only
- Maximum Current: 0.5A Max.
- Response Time ON: 0.5ms
- Response Time OFF: 0.1ms

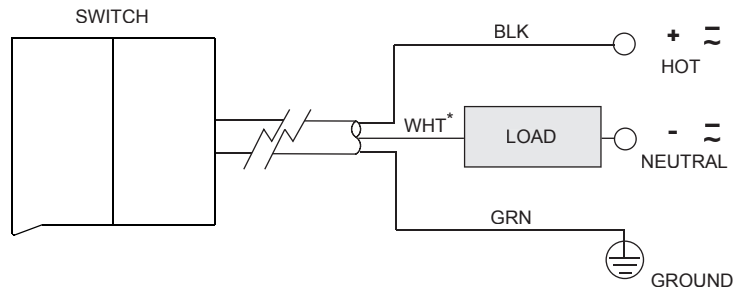
Features

- Meets hazardous location specifications
- Normally closed reed switch for hazardous location
- Metal body with robust 1/2" conduit
- Fully encapsulated electronics
- Cam-lock clamp ensures proper assembly and sensor position
- Compatible for wash down and corrosive environments
- Compatible with anodized 6061 Aluminum material

Mounting Installation



Electrical Installation



~ Both direct and alternating current

⊥ Earth (ground) TERMINAL

*White wire must be permanently reidentified to indicate its use as an ungrounded conductor, by painting or other effective means at its termination, and each location where the conductor is visible and accessible. Per NEC Article (200.7)



Consult factory for available versions listed by Canadian Standards Association for use with certified electrical equipment.

Ordering Information

Order # 7 H L 1 0 - 0 0 0 - 0 0 1