

OTHER **BRAUER**® PRODUCTS

VA SERIES HEAVY DUTY VERTICAL CLAMPS (MANUAL)



MODEL	NOMINAL HOLDING FORCE	WEIGHT
• VA300/S	300 daN	0.15 Kg
• VA300/T	300 daN	0.15 Kg
• VA300/2S	300 daN	0.20 Kg
** VA300/1B	300 daN	0.25 Kg
** VA300/2B	300 daN	0.25 Kg
** VA300/2BT	300 daN	0.25 Kg
• VA700S	700 daN	0.73 Kg
• VA700T	700 daN	0.86 Kg
+ VA700/1A	700 daN	1.28 Kg

MODEL	NOMINAL HOLDING FORCE	WEIGHT
** VA700/2C	700 daN	1.25 Kg
• VA1200S	1200 daN	1.30 Kg
• VA1200T	1200 daN	1.45 Kg
+ VA1200/1A	1200 daN	1.80 Kg
# VA1200/2C	1200 daN	1.95 Kg
• VA2400S	2400 daN	2.90 Kg
• VA2400T	2400 daN	3.20 Kg
+ VA2400/1A	2400 daN	3.75 Kg
# VA2400/2C	2400 daN	4.10 Kg

- Stub nose for welded extension
- ** The spindle is adjustable along the arm
- + Solid Arm
- # The spindle is in a fixed position

FOR FURTHER DETAILS CONTACT

BRAUER®

DAWSON ROAD, MOUNT FARM, MILTON KEYNES MK1 1JP, ENGLAND

TEL: 00 44 (0)1908 - 374022 FAX: 00 44 (0)1908 - 641628

E-mail: sales@brauer.co.uk Web: www.brauer.co.uk

© HMC Brauer Ltd 2000

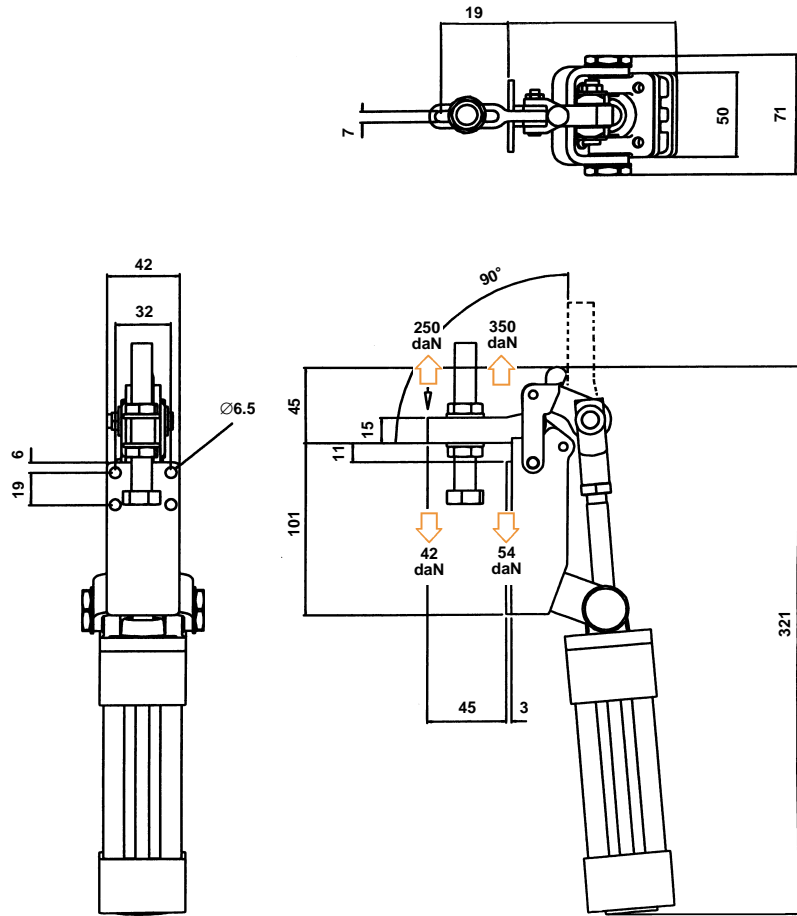
No part of this publication may be reproduced in any form (including photocopying or storing in any medium by electronic means) without the written permission of HMC Brauer Ltd. HMC Brauer Limited reserves the right to change the design or specification of the products shown in this catalogue without prior notification. The mark 'BRAUER' is a registered trade mark of HMC Brauer Limited. The 'Orange Grip' is a registered trade mark of HMC Brauer Limited.

MODEL VA 300BX



- **Arm:** the spindle is adjustable along the arm.
- **Base:** front mounting.
- **Nominal holding force:** 250-350 daN.
- **Weight:** 2.20 Kg.
- **Stroke sensing:** Contact Brauer for further details.

Specifications	VA300 BX
WEIGHTS (Kg)	2.20 Kg
CLAMPING FORCE (daN)	↓ 42 ↓ 54
HOLDING FORCE (daN)	↑ 250 ↑ 350



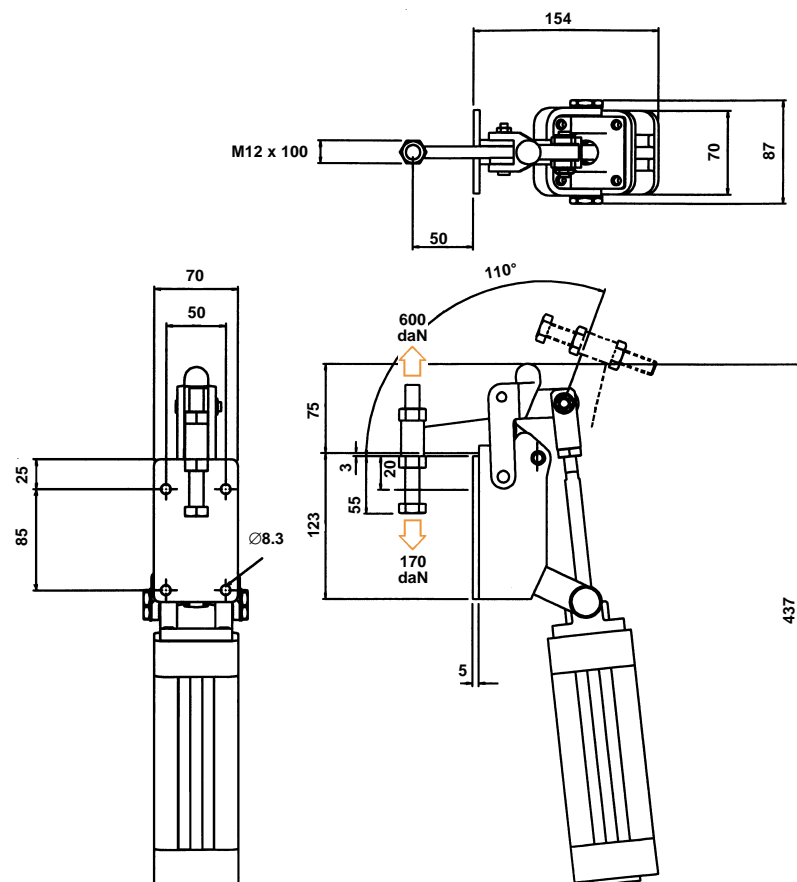
Any cylinder with ISO/VDMA standard interfaces may be fitted. Prices on application.

MODEL VA 700CX



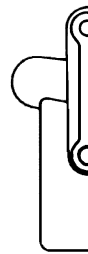
- **Arm:** the spindle is in a fixed position.
- **Base:** front mounting.
- **Nominal holding force:** 700 daN.
- **Weight:** 4.50 Kg.
- **Stroke sensing:** Contact Brauer for further details.

Specifications	VA700 CX
WEIGHTS (Kg)	4.50 Kg
CLAMPING FORCE (daN)	↓ 170
HOLDING FORCE (daN)	↑ 600

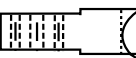


Any cylinder with ISO/VDMA standard interfaces may be fitted. Prices on application.

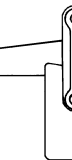
Alternative
(as many
clamps)
supplied a



SPECIAL



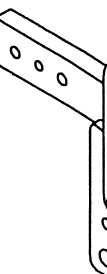
SPECIAL



SPECIAL



SPECIAL

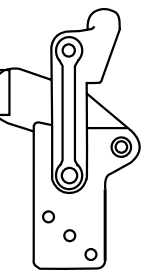


SPECIAL

arm types
 usual 'VA'
 can be
 'specials'



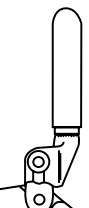
VA2400T



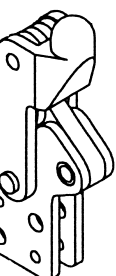
VA1200



VA2400/1A



VA700/1A



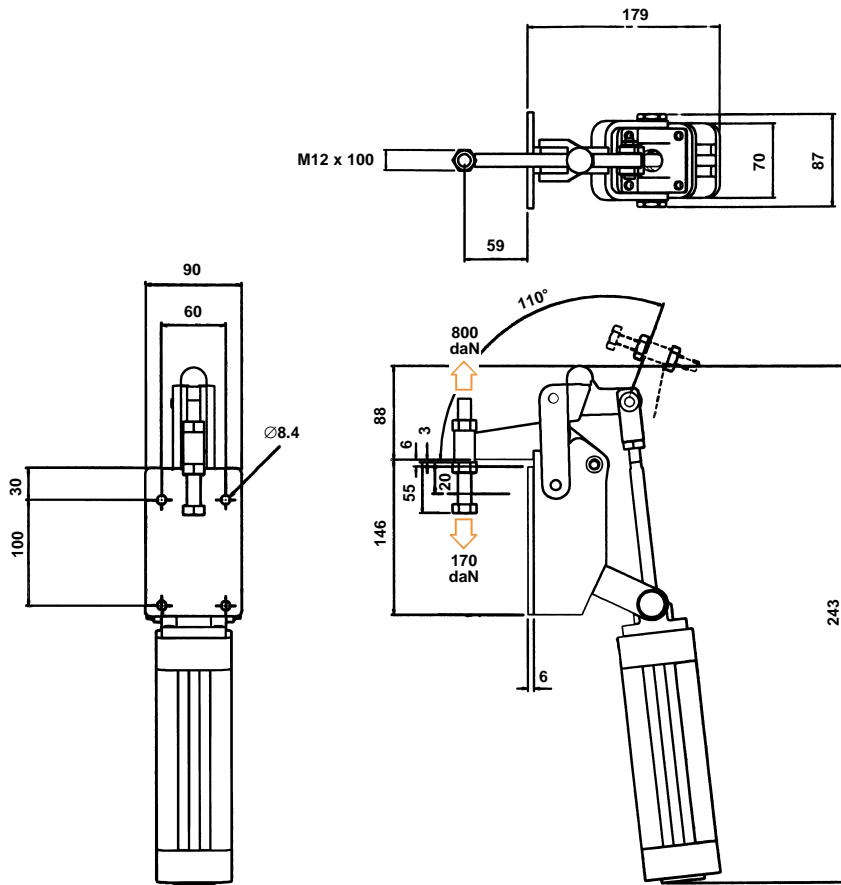
VA700

MODEL VA 1200CX



- **Arm:** the spindle is in a fixed position.
- **Base:** front mounting.
- **Nominal holding force:** 1200 daN.
- **Weight:** 5.75 Kg.
- **Stroke sensing:** Contact Brauer for further details.

Specifications	VA1200 CX
WEIGHTS (Kg)	5.75 Kg
CLAMPING FORCE (daN)	↓ 170
HOLDING FORCE (daN)	↑ 800



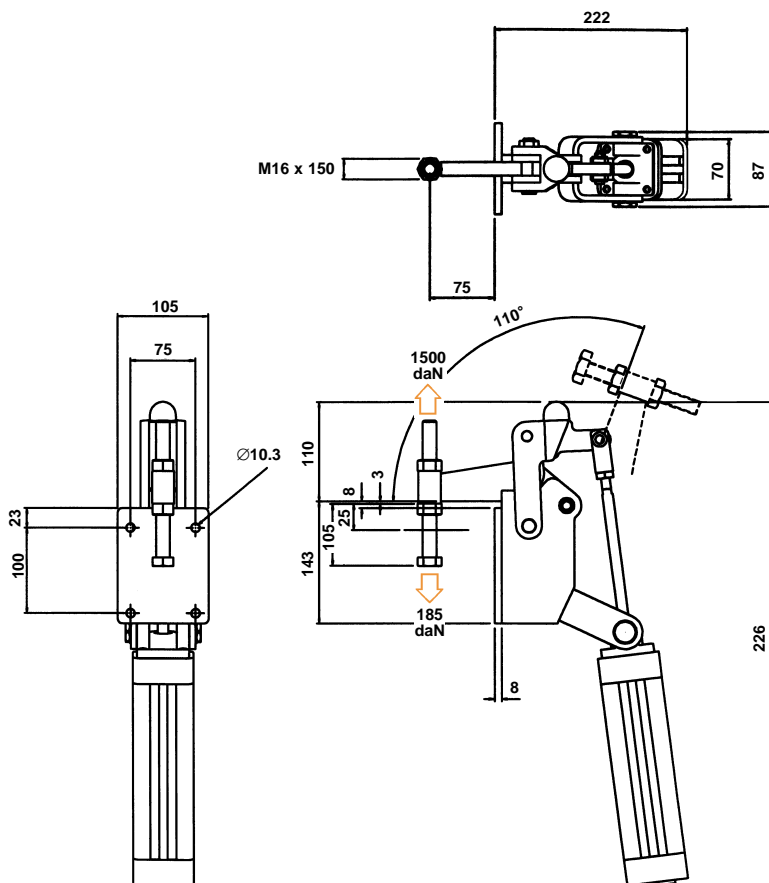
Any cylinder with ISO/VDMA standard interfaces may be fitted. Prices on application.

MODEL VA 2400CX



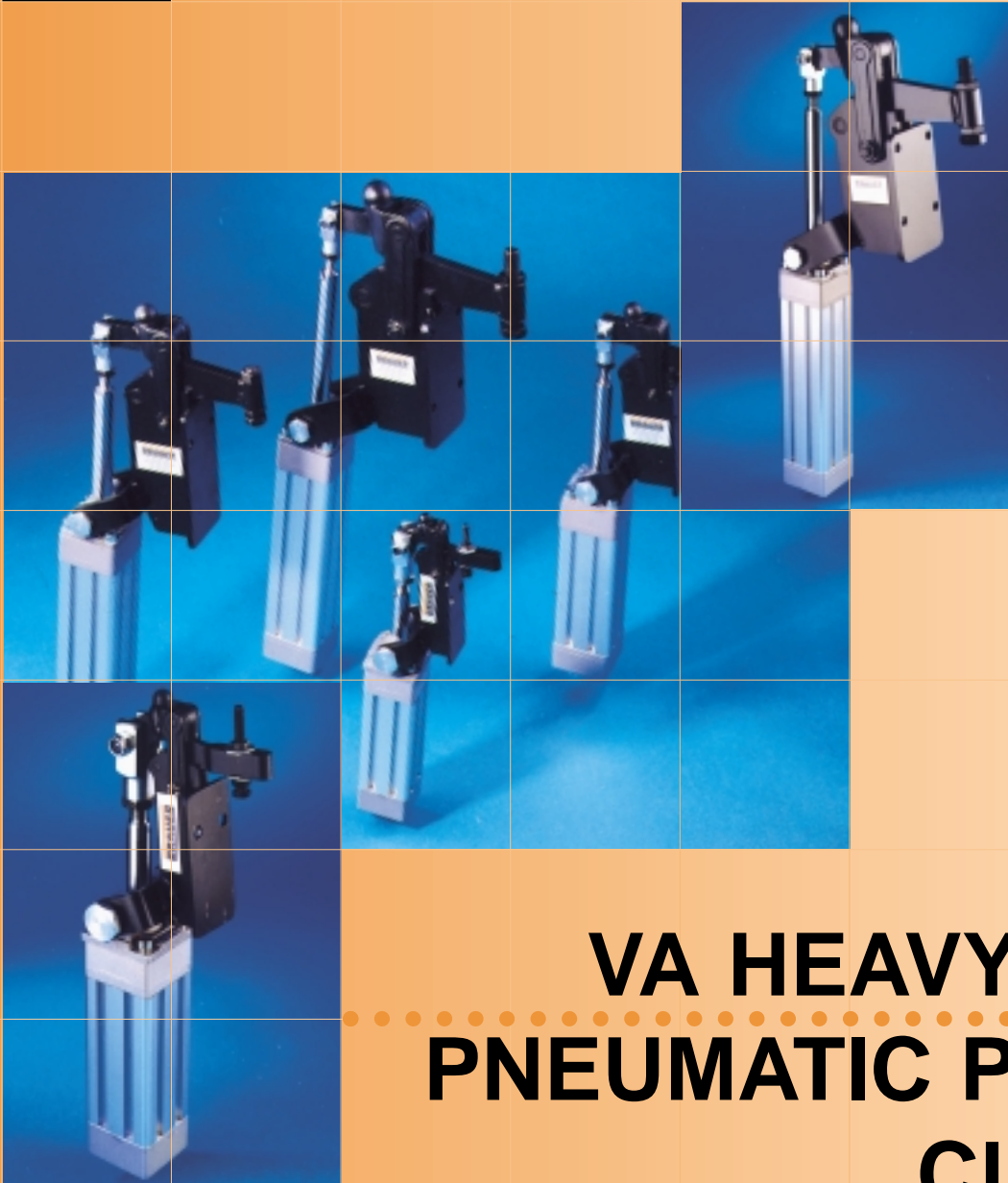
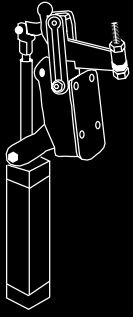
- **Arm:** the spindle is in a fixed position.
- **Base:** front mounting
- **Nominal holding force:** 2400 daN.
- **Weight:** 8.65 Kg.
- **Stroke sensing:** Contact Brauer for further details.

Specifications	VA2400 CX
WEIGHTS (Kg)	8.65 Kg
CLAMPING FORCE (daN)	↓ 185
HOLDING FORCE (daN)	↑ 1500



Any cylinder with ISO/VDMA standard interfaces may be fitted. Prices on application.

BRAUER[®]



VA HEAVY DUTY PNEUMATIC POWER CLAMPS

- Pneumatic powered version of Brauer's acclaimed VA heavy duty range
- Arm types shown are standard
- All leading pneumatic cylinders including SMC, ASCO Joucomatic and Festo can be fitted



ISO 9002
Certificate No: FM13674