

INNOVATIVE CONTROL SOLUTIONS

3115 14TH AVENUE, UNIT # 8 & 9
 MARKHAM, ONTARIO L3R 0H1
 T: (905) 709-4220 F: (905) 709-0844
 sales@icssci.com



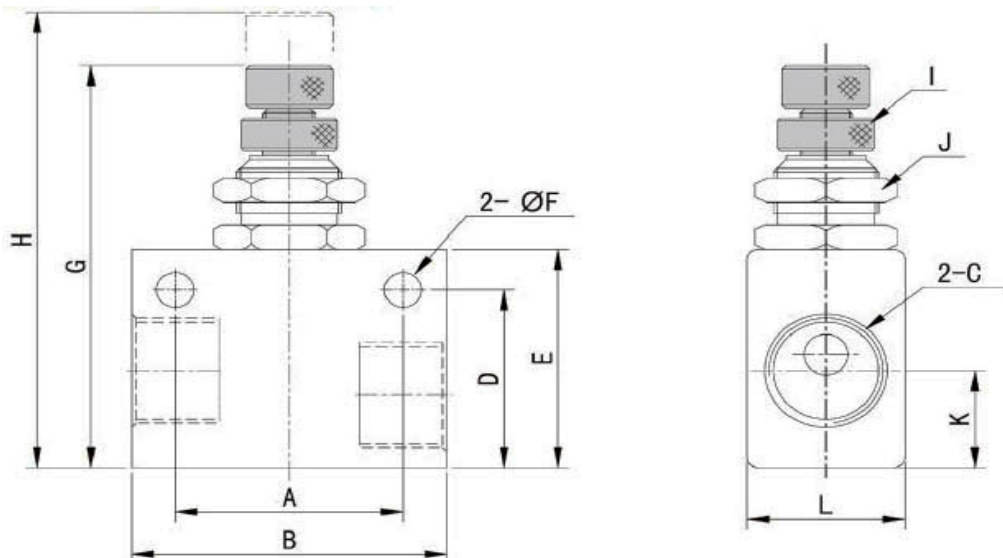
10215 COTE-DE-LIESSE
 MONTRÉAL, QUÉBEC H9P 1A3
 T: (514) 745-6543 F: (514) 745-6715
 ventes@icssci.com

UNI-DIRECTIONAL FLOW CONTROLS



\$3.75 ea

Model	Port Size	Fluids	Operating Pressure	Operating Temperature
ASC-08	1/4" NPT	Air	0-130 PSI	.5° - 60° C
ASC-10	3/8" NPT			



Model	A	B	C	D	E	F	G	H	I	J	K	L
ASC-08	26	36	1/4 NPT	22	27	4.3	49.7	56.5	M6x0.5	M12x0.75	12	18
ASC-10	28	40	3/8 NPT	25	30	4.3	52.7	59.5	M6x0.5	M12x0.75	13	22